

No-Tools!

We created the Series K08 with maintenance in mind.

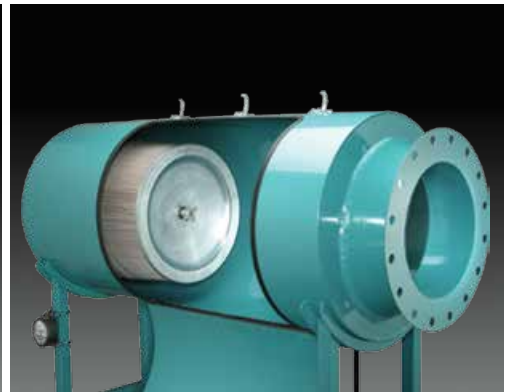
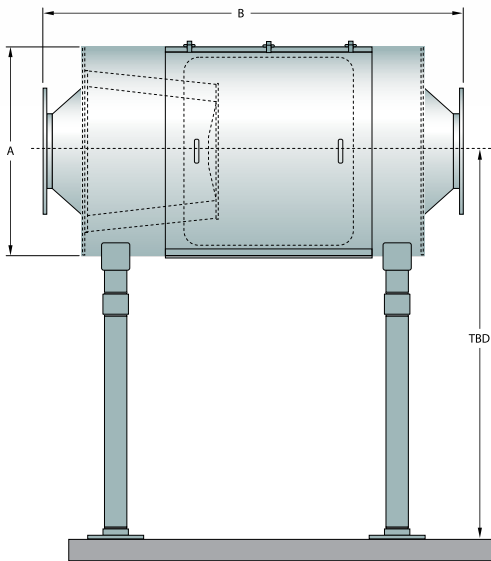
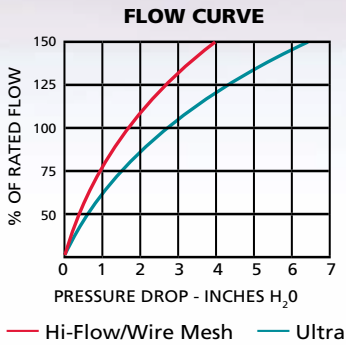
Our ergonomic, No-Tools design, combined with light-weight Enduralast® Synthetic elements, allows a single technician to service the K08 in minutes.

Tri-Vent® Technology reduces energy consumption, element change frequency, and maintenance costs.

Draw fresh air from a clean, remote source and make filter element changes easy. Switch to the Tri-Vent® Series K08.

Tri-Vent® Series K08

Side-Access Inline Intake Filters



Options

- Wire Mesh Medium, 60% eff. @ ISO Fine Dust
- Stainless steel or aluminum
- Custom fittings
- Special coatings
- FDA/USDA standards
- HEPA/ULPA
- Over 75 media types.

Model #	Enduralast® Element Number		FLG Size	Nominal Dimensions		Rated Flow SCFM	Weight
	Ultra Synthetic, 99.97% eff. @ 1-µ (nom)	Hi-Flow Synthetic, 98% eff. @ 10-µ (nom)		A	B		
K08R11-	E045775	E047935	6"	22.25	42	2250	125
K08R1J-	E045775	E047935	8"	22.25	42	2900	125
K08R1J-	E045776	E047936	8"	22.25	50	3300	160
K08R1K-	E045775	E047935	10"	22.25	42	4000	125
K08R1K-	E045776	E047936	10"	22.25	50	4250	160
K08R1L-	E045775	E047935	12"	22.25	42	5150	140
K08R1L-	E045776	E047936	12"	22.25	50	6500	175
K08R1L-	E045777	E047937	12"	28.25	62	8250	250
K08R1M-	E045777	E047937	14"	28.25	62	12,000	260
K08R1N-	E045777	E047937	16"	28.25	62	15,000	270
K08R1S-	E045777	E047937	18"	28.25	62	18,000	280

© 2018, Patented