

# Air Inlet and Vacuum Filters

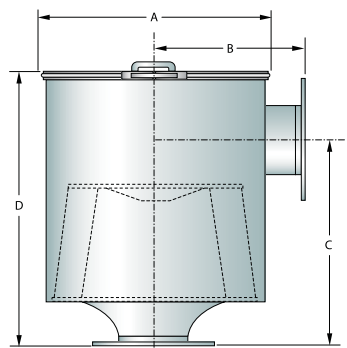
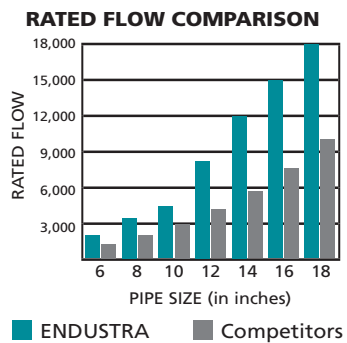
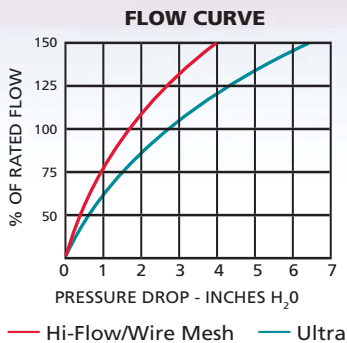
Cut the footprint, weight, and system pressure loss by half with the Tri-Vent® Series P08.

Available with NPT or flanged connections, the P08 offers standard No-Tools element changes in most sizes.

Change elements safely on the ground and draw air from a clean, remote source, or prevent costly environmental hazards in vacuum or dust-collection applications.

# Tri-Vent® Series P08

## L-Configuration Inline Filters



Model #	Enduralast® Element Number		FLG Size	Nominal Dimensions				Rated Flow SCFM	Weight
	Ultra Synthetic, 99.97% eff, @ 1-µ (nom)	Hi-Flow Synthetic, 98% eff, @ 10-µ (nom)		A	B	C	D		
P08RGG-	E045773	E047933	3"	16	11	18	23	600	50
P08RHH-	E045773	E047933	4"	16	11	18	23	900	50
P08RRR-	E045773	E047933	5"	16	11	18	23	1100	50
P08RII-	E045773	E047933	6"	16	11	18	23	1350	50
P08RII-	E045774	E047934	6"	20	13	20	27	2000	75
P08RII-	E045775	E047935	6"	20	13	24	31	2250	85
P08RJJ-	E045774	E047934	8"	20	13	20	27	2500	80
P08RJJ-	E045775	E047935	8"	20	13	24	31	2900	85
P08RJJ-	E045776	E047936	8"	25	18	28	35	3300	125
P08RKK-	E045774	E047934	10"	20	13	20	30	3750	90
P08RKK-	E045775	E047935	10"	20	13	24	33	4000	95
P08RKK-	E045776	E047936	10"	25	18	28	37	4250	135
P08RLL-	E045775	E047935	12"	20	13	24	37	5150	100
P08RLL-	E045776	E047936	12"	25	18	28	40	6500	155
P08RLL-	E045777	E047937	12"	30	21	38	46	8250	215
P08RMM-	E045777	E047937	14"	30	21	38	48	12,000	230
P08RNN-	E045777	E047937	16"	30	21	38	50	15,000	240
P08RSS-	E045777	E047937	18"	30	21	38	52	18,000	250

### Options

- 3-6" NPT connections
- Wire Mesh Medium, 60% eff. @ ISO Fine Dust
- Stainless steel or aluminum
- Custom fittings
- Special coatings
- FDA/USDA standards
- HEPA/ULPA
- Over 75 media types.

© 2009, Patents & Patents Pending.