

No-Tools! No Ladders!

Series TZ09 Side-Outlet Intake Filter Silencers eliminate ladder hazards and platform costs.

Why compromise?

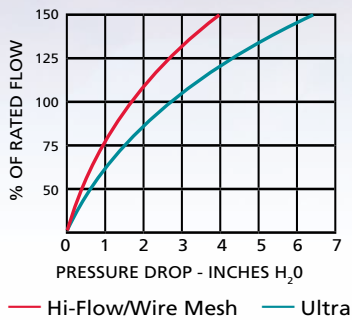
No-Tools, no ladders, and a first year payback in power savings.

Patented Tri-Vent® Technology, only from Endustra.

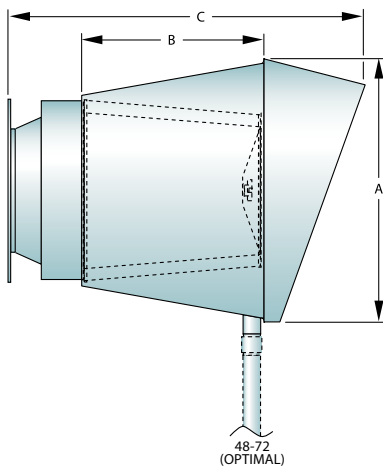
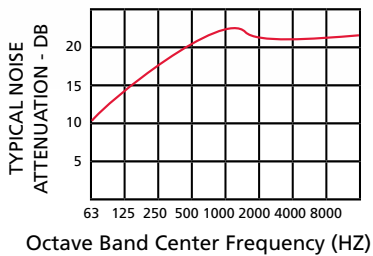
Tri-Vent® Series TZ09

Side-Outlet Intake Filter Silencers

FLOW CURVE



TYPICAL NOISE ATTENUATION



Model #	Enduralast® Element Number		FLG Size	Nominal Dimensions			Rated Flow (SCFM)	Weight
	Ultra Synthetic, 99.97% eff. @ 1-μ (nom)	Hi-Flow Synthetic, 98% eff. @ 10-μ (nom)		A	B	C		
TZ09RL-	E045776	E047936	12"	27	20	42	6500	130
	E045777	E047937		36	24	48	8250	140
TZ09RM-	E045777	E047937	14"	36	24	48	12,000	150
TZ09RN-	E045777	E047937	16"	36	24	48	15,000	160
TZ09RS-	E045777	E047937	18"	36	24	48	18,000	170

Options

- Wire Mesh Medium, 60% eff. @ ISO Fine Dust
- Stainless steel or aluminum
- Custom fittings
- Special coatings
- FDA/USDA standards

© 2017, Patented